

Bandpass Filter

Shortpass

Longpass

Bandpass

Neutral Density

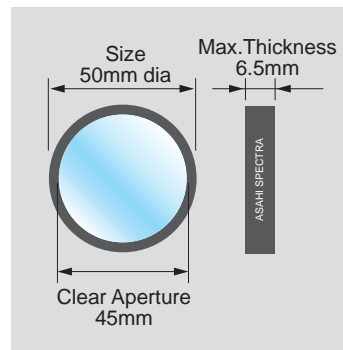
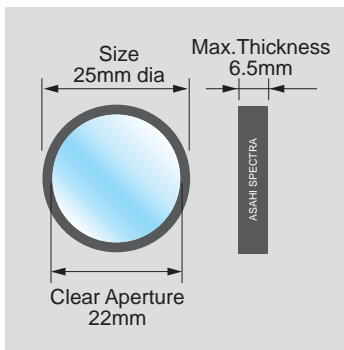
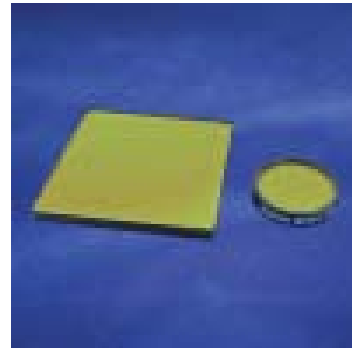
Mercury Line Emission

Super Cold

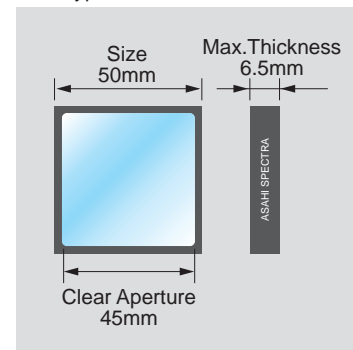
Others

Narrow Bandpass Filter / UV, VIS, NIR

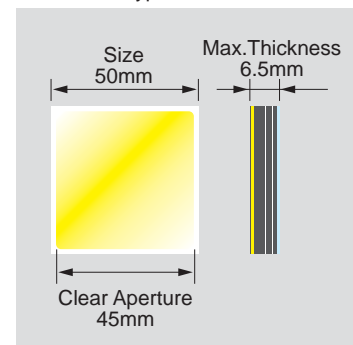
Narrow Bandpass Filter is designed to have a sharp transition and high transmittance at each CWL, and they have a long blocking range from Xray to 1200nm so that silicon sensors, which usually detect up to 1100nm, can be used. Filters in VIS and NIR range are coated by IAD, which achieves high durability against heat and humidity. Please contact us for custom filters that you cannot find in the standard product line.



【 UV Type 】



【 VIS - NIR Type 】



Item Number	CWL (nm)	FWHM (nm)	Min. Transmittance (%)	Dimension (mm)	Max. Thickness (mm)
XBPA254	254 +2/-2	10 +2/-2	20	25 diameter	6.5
ZBPA254	254 +2/-2	10 +2/-2	20	50 x 50	6.5
XBPA260	260 +2/-2	10 +2/-2	20	25 diameter	6.5
ZBPA260	260 +2/-2	10 +2/-2	20	50 x 50	6.5
XBPA270	270 +2/-2	10 +2/-2	20	25 diameter	6.5
ZBPA270	270 +2/-2	10 +2/-2	20	50 x 50	6.5
XBPA280	280 +2/-2	10 +2/-2	20	25 diameter	6.5
ZBPA280	280 +2/-2	10 +2/-2	20	50 x 50	6.5

Item Number	CWL (nm)	FWHM (nm)	Min. Transmittance (%)	Dimension (mm)	Max. Thickness (mm)
XBPA290 ZBPA290	290 +2/-2	10 +2/-2	20	25 diameter 50 x 50	6.5
XBPA300 ZBPA300	300 +2/-2	10 +2/-2	30	25 diameter 50 x 50	6.5
XBPA310 ZBPA310	310 +2/-2	10 +2/-2	35	25 diameter 50 x 50	6.5
XBPA313 ZBPA313	313 +2/-2	10 +2/-2	35	25 diameter 50 x 50	6.5
XBPA320 ZBPA320	320 +2/-2	10 +2/-2	45	25 diameter 50 x 50	6.5
XBPA330 ZBPA330	330 +2/-2	10 +2/-2	45	25 diameter 50 x 50	6.5
XBPA340 ZBPA340	340 +2/-2	10 +2/-2	45	25 diameter 50 x 50	6.5
XBPA350 ZBPA350	350 +2/-2	10 +2/-2	45	25 diameter 50 x 50	6.5
XBPA360 ZBPA360	360 +2/-2	10 +2/-2	40	25 diameter 50 x 50	6.5
XBPA365 ZBPA365	365 +2/-2	10 +2/-2	40	25 diameter 50 x 50	6.5
XBPA370 ZBPA370	370 +2/-2	10 +2/-2	40	25 diameter 50 x 50	6.5
XBPA380 YBPA380 ZBPA380	380 +2/-2	10 +2/-2	45	25 diameter 50 diameter 50 x 50	6.5
XBPA390 YBPA390 ZBPA390	390 +2/-2	10 +2/-2	45	25 diameter 50 diameter 50 x 50	6.5
XBPA400 YBPA400 ZBPA400	400 +2/-2	10 +2/-2	45	25 diameter 50 diameter 50 x 50	6.0
XBPA405 YBPA405 ZBPA405	405 +2/-2	10 +2/-2	45	25 diameter 50 diameter 50 x 50	6.0
XBPA410 YBPA410 ZBPA410	410 +2/-2	10 +2/-2	45	25 diameter 50 diameter 50 x 50	6.0
XBPA420 YBPA420 ZBPA420	420 +2/-2	10 +2/-2	45	25 diameter 50 diameter 50 x 50	6.0
XBPA430 YBPA430 ZBPA430	430 +2/-2	10 +2/-2	45	25 diameter 50 diameter 50 x 50	6.0
XBPA436 YBPA436 ZBPA436	436 +2/-2	10 +2/-2	45	25 diameter 50 diameter 50 x 50	6.0
XBPA440 YBPA440 ZBPA440	440 +2/-2	10 +2/-2	45	25 diameter 50 diameter 50 x 50	6.0
XBPA450 YBPA450 ZBPA450	450 +2/-2	10 +2/-2	50	25 diameter 50 diameter 50 x 50	6.0
XBPA460 YBPA460 ZBPA460	460 +2/-2	10 +2/-2	50	25 diameter 50 diameter 50 x 50	6.0

Shortpass

Longpass

Bandpass

Neutral Density

Mercury Line Emission

Super Cold

Others

	Item Number	CWL (nm)	FWHM (nm)	Min. Transmittance (%)	Dimension (mm)	Max. Thickness (mm)
Shortpass	XBPA470				25 diameter	
	YBPA470	470 +2/-2	10 +2/-2	50	50 diameter	6.0
	ZBPA470				50 x 50	
	XBPA480				25 diameter	
	YBPA480	480 +2/-2	10 +2/-2	50	50 diameter	6.0
	ZBPA480				50 x 50	
	XBPA490				25 diameter	
	YBPA490	490 +2/-2	10 +2/-2	50	50 diameter	6.0
	ZBPA490				50 x 50	
Longpass	XBPA500				25 diameter	
	YBPA500	500 +2/-2	10 +2/-2	55	50 diameter	6.0
	ZBPA500				50 x 50	
	XBPA510				25 diameter	
	YBPA510	510 +2/-2	10 +2/-2	55	50 diameter	6.0
	ZBPA510				50 x 50	
	XBPA520				25 diameter	
	YBPA520	520 +2/-2	10 +2/-2	55	50 diameter	6.0
	ZBPA520				50 x 50	
Bandpass	XBPA530				25 diameter	
	YBPA530	530 +2/-2	10 +2/-2	55	50 diameter	6.0
	ZBPA530				50 x 50	
	XBPA540				25 diameter	
	YBPA540	540 +2/-2	10 +2/-2	55	50 diameter	6.0
	ZBPA540				50 x 50	
	XBPA546				25 diameter	
	YBPA546	546 +2/-2	10 +2/-2	55	50 diameter	6.0
	ZBPA546				50 x 50	
Neutral Density	XBPA550				25 diameter	
	YBPA550	550 +2/-2	10 +2/-2	60	50 diameter	6.0
	ZBPA550				50 x 50	
	XBPA560				25 diameter	
	YBPA560	560 +2/-2	10 +2/-2	60	50 diameter	6.0
	ZBPA560				50 x 50	
	XBPA570				25 diameter	
	YBPA570	570 +2/-2	10 +2/-2	60	50 diameter	6.0
	ZBPA570				50 x 50	
Mercury Line Emission	XBPA580				25 diameter	
	YBPA580	580 +2/-2	10 +2/-2	60	50 diameter	6.0
	ZBPA580				50 x 50	
	XBPA590				25 diameter	
	YBPA590	590 +2/-2	10 +2/-2	60	50 diameter	6.0
	ZBPA590				50 x 50	
	XBPA600				25 diameter	
	YBPA600	600 +2/-2	12 +2/-2	60	50 diameter	6.0
	ZBPA600				50 x 50	
Super Cold	XBPA610				25 diameter	
	YBPA610	610 +2/-2	12 +2/-2	60	50 diameter	6.0
	ZBPA610				50 x 50	
	XBPA620				25 diameter	
	YBPA620	620 +2/-2	12 +2/-2	60	50 diameter	6.0
	ZBPA620				50 x 50	
	XBPA630				25 diameter	
	YBPA630	630 +2/-2	12 +2/-2	60	50 diameter	6.0
	ZBPA630				50 x 50	
Others	XBPA640				25 diameter	
	YBPA640	640 +2/-2	12 +2/-2	60	50 diameter	6.0
	ZBPA640				50 x 50	

Item Number	CWL (nm)	FWHM (nm)	Min. Transmittance (%)	Dimension (mm)	Max. Thickness (mm)
XBPA650	650 +2/-2	12 +2/-2	60	25 diameter	6.0
YBPA650				50 diameter	
ZBPA650				50 x 50	
XBPA660	660 +2/-2	12 +2/-2	60	25 diameter	6.0
YBPA660				50 diameter	
ZBPA660				50 x 50	
XBPA670	670 +2/-2	12 +2/-2	60	25 diameter	6.0
YBPA670				50 diameter	
ZBPA670				50 x 50	
XBPA680	680 +2/-2	12 +2/-2	60	25 diameter	6.0
YBPA680				50 diameter	
ZBPA680				50 x 50	
XBPA690	690 +2/-2	12 +2/-2	60	25 diameter	6.0
YBPA690				50 diameter	
ZBPA690				50 x 50	
XBPA700	700 +3/-3	12 +2/-2	65	25 diameter	6.0
YBPA700				50 diameter	
ZBPA700				50 x 50	
XBPA710	710 +3/-3	12 +3/-3	65	25 diameter	6.0
YBPA710				50 diameter	
ZBPA710				50 x 50	
XBPA720	720 +3/-3	12 +3/-3	65	25 diameter	6.0
YBPA720				50 diameter	
ZBPA720				50 x 50	
XBPA730	730 +3/-3	12 +3/-3	65	25 diameter	6.0
YBPA730				50 diameter	
ZBPA730				50 x 50	
XBPA740	740 +3/-3	12 +3/-3	65	25 diameter	6.0
YBPA740				50 diameter	
ZBPA740				50 x 50	
XBPA750	750 +3/-3	12 +3/-3	65	25 diameter	6.0
YBPA750				50 diameter	
ZBPA750				50 x 50	
XBPA760	760 +3/-3	12 +3/-3	65	25 diameter	6.0
YBPA760				50 diameter	
ZBPA760				50 x 50	
XBPA770	770 +3/-3	12 +3/-3	65	25 diameter	6.0
YBPA770				50 diameter	
ZBPA770				50 x 50	
XBPA780	780 +3/-3	12 +3/-3	65	25 diameter	6.0
YBPA780				50 diameter	
ZBPA780				50 x 50	
XBPA790	790 +3/-3	12 +3/-3	65	25 diameter	6.0
YBPA790				50 diameter	
ZBPA790				50 x 50	
XBPA800	800 +3/-3	12 +3/-3	65	25 diameter	6.0
YBPA800				50 diameter	
ZBPA800				50 x 50	
XBPA810	810 +3/-3	12 +3/-3	65	25 diameter	6.0
YBPA810				50 diameter	
ZBPA810				50 x 50	
XBPA820	820 +3/-3	12 +3/-3	65	25 diameter	6.0
YBPA820				50 diameter	
ZBPA820				50 x 50	
XBPA830	830 +3/-3	12 +3/-3	65	25 diameter	6.0
YBPA830				50 diameter	
ZBPA830				50 x 50	

Shortpass

Longpass

Bandpass

Neutral Density

Mercury Line Emission

Super Cold

Others

Shortpass

Longpass

Bandpass

Neutral Density

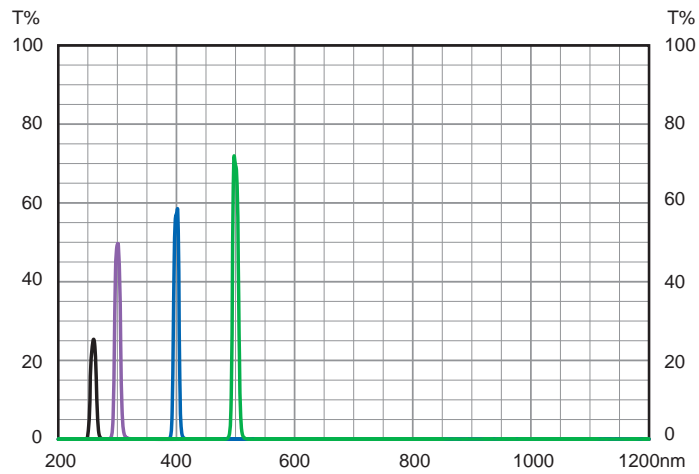
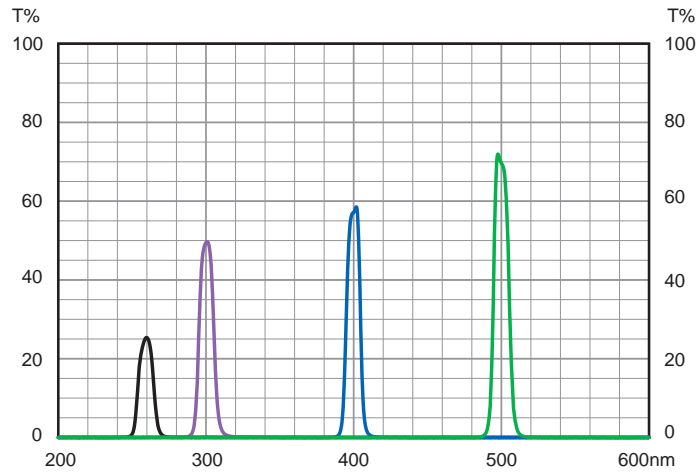
Mercury Line Emission

Super Cold

Others

Item Number	CWL (nm)	FWHM (nm)	Min. Transmittance (%)	Dimension (mm)	Max. Thickness (mm)
XBPA840				25 diameter	
YBPA840	840 +3/-3	12 +3/-3	65	50 diameter	6.0
ZBPA840				50 x 50	
XBPA850				25 diameter	
YBPA850	850 +3/-3	12 +3/-3	65	50 diameter	6.0
ZBPA850				50 x 50	
XBPA860				25 diameter	
YBPA860	860 +3/-3	12 +3/-3	65	50 diameter	6.0
ZBPA860				50 x 50	
XBPA870				25 diameter	
YBPA870	870 +3/-3	12 +3/-3	65	50 diameter	6.0
ZBPA870				50 x 50	
XBPA880				25 diameter	
YBPA880	880 +3/-3	12 +3/-3	65	50 diameter	6.0
ZBPA880				50 x 50	
XBPA890				25 diameter	
YBPA890	890 +3/-3	12 +3/-3	65	50 diameter	6.0
ZBPA890				50 x 50	
XBPA900				25 diameter	
YBPA900	900 +3/-3	12 +3/-3	65	50 diameter	6.0
ZBPA900				50 x 50	

CWL 260nm	CWL 300nm	CWL 400nm	CWL 500nm
XBPA260	XBPA300	XBPA400	XBPA500
ZBPA260	ZBPA300	YBPA400	YBPA500
		ZBPA400	ZBPA500



Shortpass

Longpass

Bandpass

Neutral Density

Mercury Line Emission

Super Cold

Others

Shortpass

Longpass

Bandpass

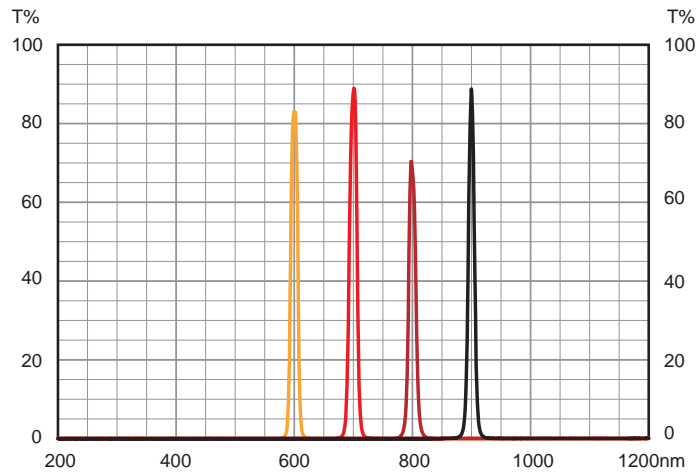
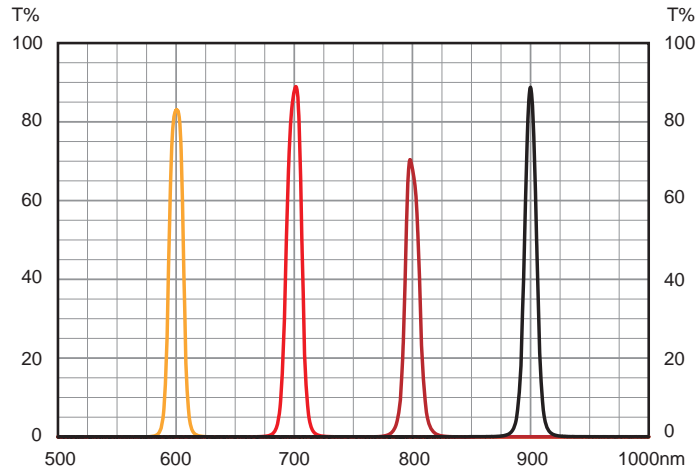
Neutral Density

Mercury Line Emission

Super Cold

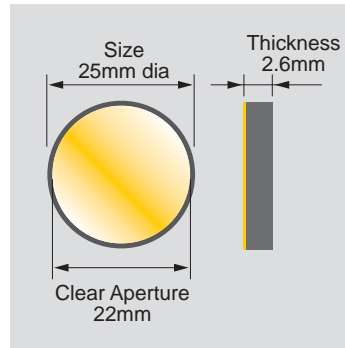
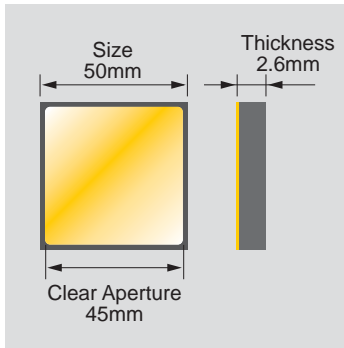
Others

CWL 600nm	CWL 700nm	CWL 800nm	CWL 900nm
XBPA600	XBPA700	XBPA800	XBPA900
YBPA600	YBPA700	YBPA800	YBPA900
ZBPA600	ZBPA700	ZBPA800	ZBPA900



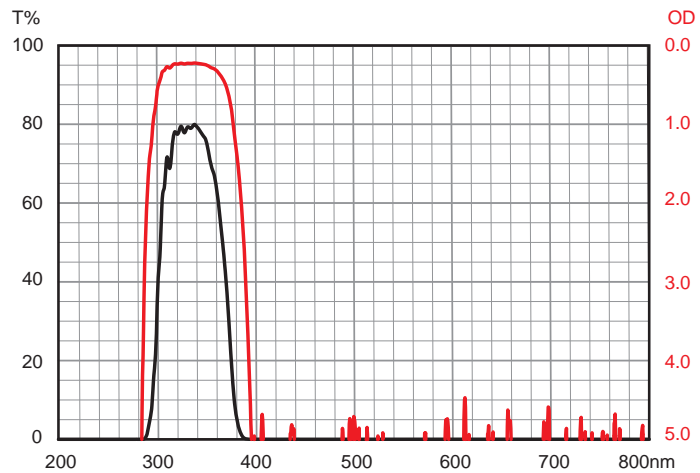
Broad Bandpass Filter / UV Type

Broad Bandpass Filter/UV is designed to transmit the light in UV range effectively and block the light up to 2000nm. U-340 (HOYA) is used as a substrate.



Item Number	Dimension (mm)	Substrate	Thickness (mm)
XRR0340	25 diameter	U-340	2.6
ZRR0340	50 x 50		

XRR0340
ZRR0340



Shortpass

Longpass

Bandpass

Neutral Density

Mercury Line Emission

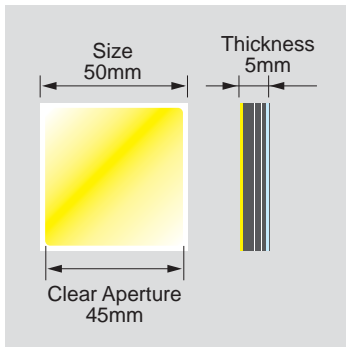
Super Cold

Others

- Shortpass
- Longpass
- Bandpass
- Neutral Density
- Mercury Line Emission
- Super Cold
- Others

Broad Bandpass Filter / VIS Type

Broad Bandpass Filter/VIS is designed to have a sharp transition and high transmittance at each CWL, and they have a long blocking range from Xray to 1200nm so that silicon sensors, which usually detect up to 1100nm, can be used. This line varies 153 types in visible range. Please contact us for custom filters that you cannot find in the standard product line.



*Smaller dimension is available with additional cost.

Item Number	CWL (nm)	FWHM (nm)	Ave. Transmittance (%)	Dimension (mm)	Thickness (mm)
ZBPB001	420 +5/-5	20 +10/-10	60	50 x 50	5
ZBPB002	430 +5/-5	40 +10/-10	60	50 x 50	5
ZBPB003	440 +5/-5	20 +10/-10	60	50 x 50	5
ZBPB004	440 +5/-5	60 +10/-10	60	50 x 50	5
ZBPB005	450 +5/-5	40 +10/-10	60	50 x 50	5
ZBPB006	450 +5/-5	80 +10/-10	60	50 x 50	5
ZBPB007	460 +5/-5	20 +10/-10	60	50 x 50	5
ZBPB008	460 +5/-5	60 +10/-10	60	50 x 50	5
ZBPB009	460 +5/-5	100 +10/-10	60	50 x 50	5
ZBPB010	470 +5/-5	40 +10/-10	60	50 x 50	5
ZBPB011	470 +5/-5	80 +10/-10	60	50 x 50	5
ZBPB012	470 +5/-5	120 +10/-10	60	50 x 50	5
ZBPB013	480 +5/-5	20 +10/-10	60	50 x 50	5
ZBPB014	480 +5/-5	60 +10/-10	60	50 x 50	5
ZBPB015	480 +5/-5	100 +10/-10	60	50 x 50	5
ZBPB016	480 +5/-5	140 +10/-10	60	50 x 50	5
ZBPB017	490 +5/-5	40 +10/-10	60	50 x 50	5
ZBPB018	490 +5/-5	80 +10/-10	60	50 x 50	5
ZBPB019	490 +5/-5	120 +10/-10	60	50 x 50	5
ZBPB020	490 +5/-5	160 +10/-10	60	50 x 50	5
ZBPB021	500 +5/-5	20 +10/-10	60	50 x 50	5
ZBPB022	500 +5/-5	60 +10/-10	60	50 x 50	5

Item Number	CWL (nm)	FWHM (nm)	Ave. Transmittance (%)	Dimension (mm)	Thickness (mm)
ZBPB023	500 +5/-5	100 +10/-10	60	50 x 50	5
ZBPB024	500 +5/-5	140 +10/-10	60	50 x 50	5
ZBPB025	500 +5/-5	180 +10/-10	60	50 x 50	5
ZBPB026	510 +5/-5	40 +10/-10	60	50 x 50	5
ZBPB027	510 +5/-5	80 +10/-10	60	50 x 50	5
ZBPB028	510 +5/-5	120 +10/-10	60	50 x 50	5
ZBPB029	510 +5/-5	160 +10/-10	60	50 x 50	5
ZBPB030	510 +5/-5	200 +10/-10	60	50 x 50	5
ZBPB031	520 +5/-5	20 +10/-10	60	50 x 50	5
ZBPB032	520 +5/-5	60 +10/-10	60	50 x 50	5
ZBPB033	520 +5/-5	100 +10/-10	60	50 x 50	5
ZBPB034	520 +5/-5	140 +10/-10	60	50 x 50	5
ZBPB035	520 +5/-5	180 +10/-10	60	50 x 50	5
ZBPB036	520 +5/-5	220 +10/-10	60	50 x 50	5
ZBPB037	530 +5/-5	40 +10/-10	60	50 x 50	5
ZBPB038	530 +5/-5	80 +10/-10	60	50 x 50	5
ZBPB039	530 +5/-5	120 +10/-10	60	50 x 50	5
ZBPB040	530 +5/-5	160 +10/-10	60	50 x 50	5
ZBPB041	530 +5/-5	200 +10/-10	60	50 x 50	5
ZBPB042	530 +5/-5	240 +10/-10	60	50 x 50	5
ZBPB043	540 +5/-5	20 +10/-10	60	50 x 50	5
ZBPB044	540 +5/-5	60 +10/-10	60	50 x 50	5
ZBPB045	540 +5/-5	100 +10/-10	60	50 x 50	5
ZBPB046	540 +5/-5	140 +10/-10	60	50 x 50	5
ZBPB047	540 +5/-5	180 +10/-10	60	50 x 50	5
ZBPB048	540 +5/-5	220 +10/-10	60	50 x 50	5
ZBPB049	540 +5/-5	260 +10/-10	60	50 x 50	5
ZBPB050	550 +5/-5	40 +10/-10	70	50 x 50	5
ZBPB051	550 +5/-5	80 +10/-10	70	50 x 50	5
ZBPB052	550 +5/-5	120 +10/-10	70	50 x 50	5
ZBPB053	550 +5/-5	160 +10/-10	70	50 x 50	5
ZBPB054	550 +5/-5	200 +10/-10	70	50 x 50	5
ZBPB055	550 +5/-5	240 +10/-10	70	50 x 50	5
ZBPB056	550 +5/-5	280 +10/-10	70	50 x 50	5
ZBPB057	560 +5/-5	20 +10/-10	70	50 x 50	5
ZBPB058	560 +5/-5	60 +10/-10	70	50 x 50	5
ZBPB059	560 +5/-5	100 +10/-10	70	50 x 50	5
ZBPB060	560 +5/-5	140 +10/-10	70	50 x 50	5
ZBPB061	560 +5/-5	180 +10/-10	70	50 x 50	5
ZBPB062	560 +5/-5	220 +10/-10	70	50 x 50	5
ZBPB063	560 +5/-5	260 +10/-10	70	50 x 50	5
ZBPB064	560 +5/-5	300 +10/-10	70	50 x 50	5
ZBPB065	570 +5/-5	40 +10/-10	70	50 x 50	5
ZBPB066	570 +5/-5	80 +10/-10	70	50 x 50	5
ZBPB067	570 +5/-5	120 +10/-10	70	50 x 50	5
ZBPB068	570 +5/-5	160 +10/-10	70	50 x 50	5
ZBPB069	570 +5/-5	200 +10/-10	70	50 x 50	5
ZBPB070	570 +5/-5	240 +10/-10	70	50 x 50	5
ZBPB071	570 +5/-5	280 +10/-10	70	50 x 50	5
ZBPB072	570 +5/-5	320 +10/-10	70	50 x 50	5
ZBPB073	580 +5/-5	20 +10/-10	70	50 x 50	5

Shortpass

Longpass

Bandpass

Neutral Density

Mercury Line Emission

Super Cold

Others

	Item Number	CWL (nm)	FWHM (nm)	Ave. Transmittance (%)	Dimension (mm)	Thickness (mm)
Shortpass	ZBPB074	580 +5/-5	60 +10/-10	70	50 x 50	5
	ZBPB075	580 +5/-5	100 +10/-10	70	50 x 50	5
	ZBPB076	580 +5/-5	140 +10/-10	70	50 x 50	5
	ZBPB077	580 +5/-5	180 +10/-10	70	50 x 50	5
	ZBPB078	580 +5/-5	220 +10/-10	70	50 x 50	5
Longpass	ZBPB079	580 +5/-5	260 +10/-10	70	50 x 50	5
	ZBPB080	580 +5/-5	300 +10/-10	70	50 x 50	5
	ZBPB081	580 +5/-5	340 +10/-10	70	50 x 50	5
	ZBPB082	590 +5/-5	40 +10/-10	70	50 x 50	5
	ZBPB083	590 +5/-5	80 +10/-10	70	50 x 50	5
	ZBPB084	590 +5/-5	120 +10/-10	70	50 x 50	5
	ZBPB085	590 +5/-5	160 +10/-10	70	50 x 50	5
	ZBPB086	590 +5/-5	200 +10/-10	70	50 x 50	5
	ZBPB087	590 +5/-5	240 +10/-10	70	50 x 50	5
	ZBPB088	590 +5/-5	280 +10/-10	70	50 x 50	5
Bandpass	ZBPB089	590 +5/-5	320 +10/-10	70	50 x 50	5
	ZBPB090	600 +5/-5	20 +10/-10	70	50 x 50	5
	ZBPB091	600 +5/-5	60 +10/-10	70	50 x 50	5
	ZBPB092	600 +5/-5	100 +10/-10	70	50 x 50	5
	ZBPB093	600 +5/-5	140 +10/-10	70	50 x 50	5
	ZBPB094	600 +5/-5	180 +10/-10	70	50 x 50	5
	ZBPB095	600 +5/-5	220 +10/-10	70	50 x 50	5
	ZBPB096	600 +5/-5	260 +10/-10	70	50 x 50	5
	ZBPB097	600 +5/-5	300 +10/-10	70	50 x 50	5
	ZBPB098	610 +5/-5	40 +10/-10	70	50 x 50	5
	ZBPB099	610 +5/-5	80 +10/-10	70	50 x 50	5
	ZBPB100	610 +5/-5	120 +10/-10	70	50 x 50	5
	ZBPB101	610 +5/-5	160 +10/-10	70	50 x 50	5
	ZBPB102	610 +5/-5	200 +10/-10	70	50 x 50	5
	ZBPB103	610 +5/-5	240 +10/-10	70	50 x 50	5
	ZBPB104	610 +5/-5	280 +10/-10	70	50 x 50	5
	Neutral Density	ZBPB105	620 +5/-5	20 +10/-10	70	50 x 50
ZBPB106		620 +5/-5	60 +10/-10	70	50 x 50	5
ZBPB107		620 +5/-5	100 +10/-10	70	50 x 50	5
ZBPB108		620 +5/-5	140 +10/-10	70	50 x 50	5
ZBPB109		620 +5/-5	180 +10/-10	70	50 x 50	5
ZBPB110		620 +5/-5	220 +10/-10	70	50 x 50	5
ZBPB111		620 +5/-5	260 +10/-10	70	50 x 50	5
ZBPB112		630 +5/-5	40 +10/-10	70	50 x 50	5
Mercury Line Emission	ZBPB113	630 +5/-5	80 +10/-10	70	50 x 50	5
	ZBPB114	630 +5/-5	120 +10/-10	70	50 x 50	5
	ZBPB115	630 +5/-5	160 +10/-10	70	50 x 50	5
	ZBPB116	630 +5/-5	200 +10/-10	70	50 x 50	5
	ZBPB117	630 +5/-5	240 +10/-10	70	50 x 50	5
	ZBPB118	640 +5/-5	20 +10/-10	70	50 x 50	5
Super Cold	ZBPB119	640 +5/-5	60 +10/-10	70	50 x 50	5
	ZBPB120	640 +5/-5	100 +10/-10	70	50 x 50	5
	ZBPB121	640 +5/-5	140 +10/-10	70	50 x 50	5
	ZBPB122	640 +5/-5	180 +10/-10	70	50 x 50	5
Others	ZBPB123	640 +5/-5	220 +10/-10	70	50 x 50	5
	ZBPB124	650 +5/-5	40 +10/-10	70	50 x 50	5

Item Number	CWL (nm)	FWHM (nm)	Ave. Transmittance (%)	Dimension (mm)	Thickness (mm)
ZBPB125	650 +5/-5	80 +10/-10	70	50 x 50	5
ZBPB126	650 +5/-5	120 +10/-10	70	50 x 50	5
ZBPB127	650 +5/-5	160 +10/-10	70	50 x 50	5
ZBPB128	650 +5/-5	200 +10/-10	70	50 x 50	5
ZBPB129	660 +5/-5	20 +10/-10	70	50 x 50	5
ZBPB130	660 +5/-5	60 +10/-10	70	50 x 50	5
ZBPB131	660 +5/-5	100 +10/-10	70	50 x 50	5
ZBPB132	660 +5/-5	140 +10/-10	70	50 x 50	5
ZBPB133	660 +5/-5	180 +10/-10	70	50 x 50	5
ZBPB134	670 +5/-5	40 +10/-10	70	50 x 50	5
ZBPB135	670 +5/-5	80 +10/-10	70	50 x 50	5
ZBPB136	670 +5/-5	120 +10/-10	70	50 x 50	5
ZBPB137	670 +5/-5	160 +10/-10	70	50 x 50	5
ZBPB138	680 +5/-5	20 +10/-10	70	50 x 50	5
ZBPB139	680 +5/-5	60 +10/-10	70	50 x 50	5
ZBPB140	680 +5/-5	100 +10/-10	70	50 x 50	5
ZBPB141	680 +5/-5	140 +10/-10	70	50 x 50	5
ZBPB142	690 +5/-5	40 +10/-10	70	50 x 50	5
ZBPB143	690 +5/-5	80 +10/-10	70	50 x 50	5
ZBPB144	690 +5/-5	120 +10/-10	70	50 x 50	5
ZBPB145	700 +5/-5	20 +10/-10	70	50 x 50	5
ZBPB146	700 +5/-5	60 +10/-10	70	50 x 50	5
ZBPB147	700 +5/-5	100 +10/-10	70	50 x 50	5
ZBPB148	710 +5/-5	40 +10/-10	70	50 x 50	5
ZBPB149	710 +5/-5	80 +10/-10	70	50 x 50	5
ZBPB150	720 +5/-5	20 +10/-10	70	50 x 50	5
ZBPB151	720 +5/-5	60 +10/-10	70	50 x 50	5
ZBPB152	730 +5/-5	40 +10/-10	70	50 x 50	5
ZBPB153	740 +5/-5	20 +10/-10	70	50 x 50	5

Shortpass

Longpass

Bandpass

Neutral Density

Mercury Line Emission

Super Cold

Others

Shortpass

Longpass

Bandpass

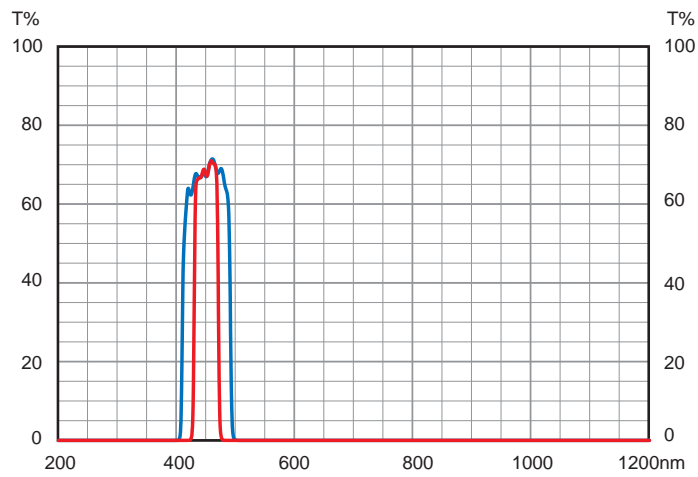
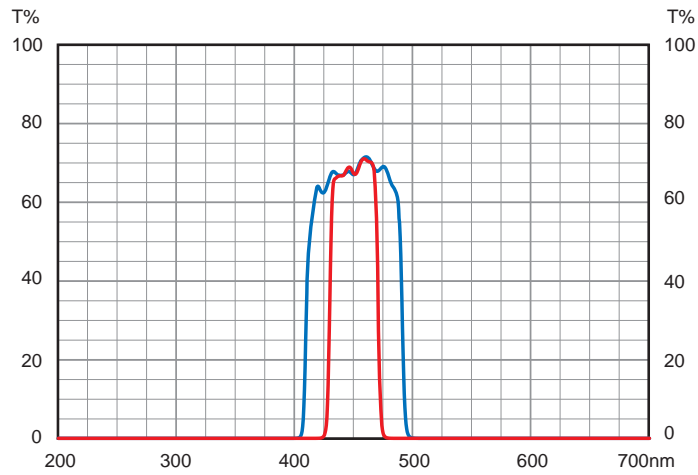
Neutral Density

Mercury Line Emission

Super Cold

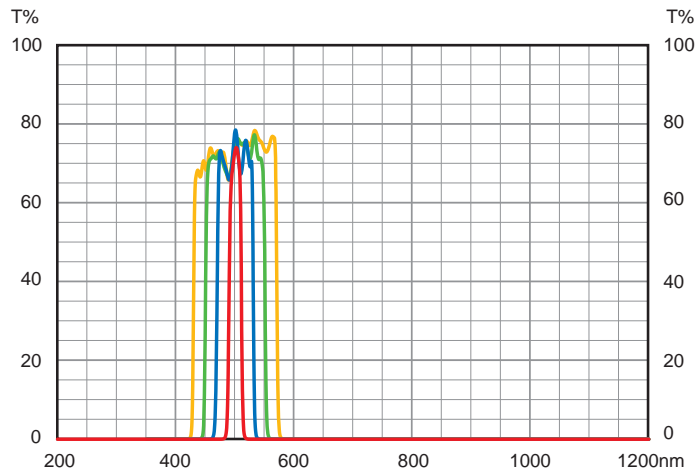
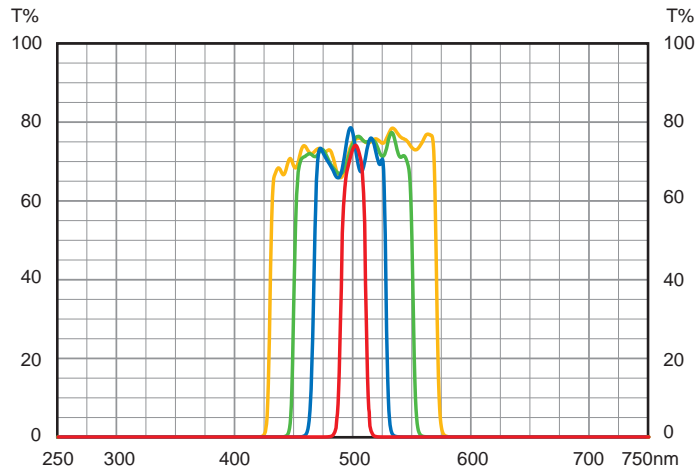
Others

CWL 450nm
 ZBPB005 ZBPB006



CWL 500nm

ZBPB021 ZBPB022 ZBPB023 ZBPB024



Shortpass

Longpass

Bandpass

Neutral Density

Mercury Line Emission

Super Cold

Others

Shortpass

Longpass

Bandpass

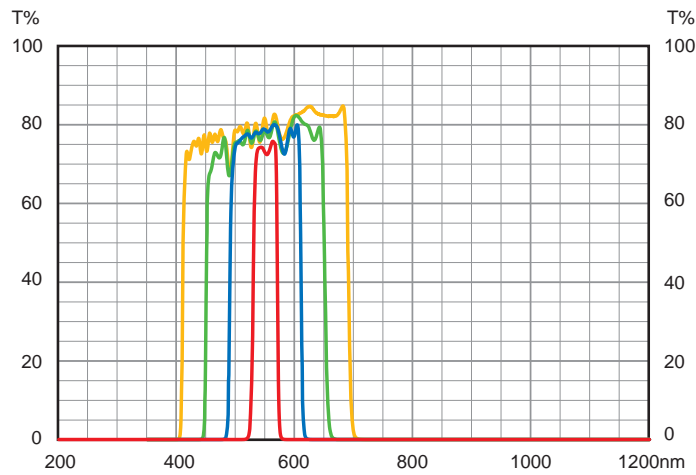
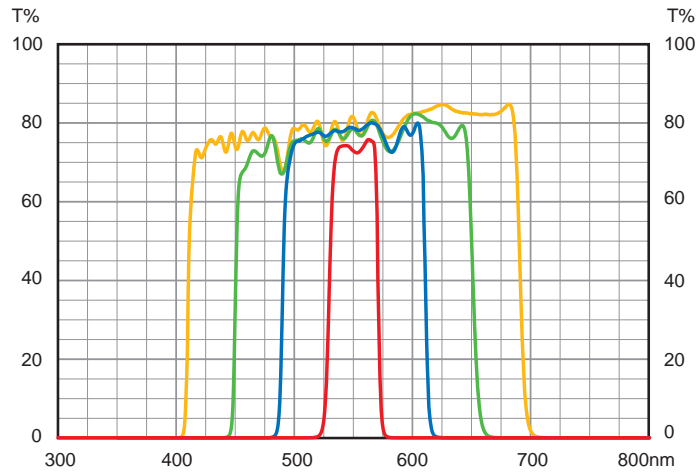
Neutral Density

Mercury Line Emission

Super Cold

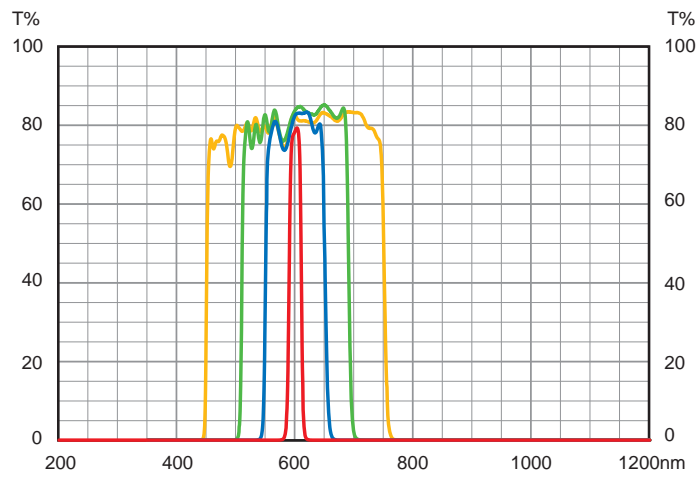
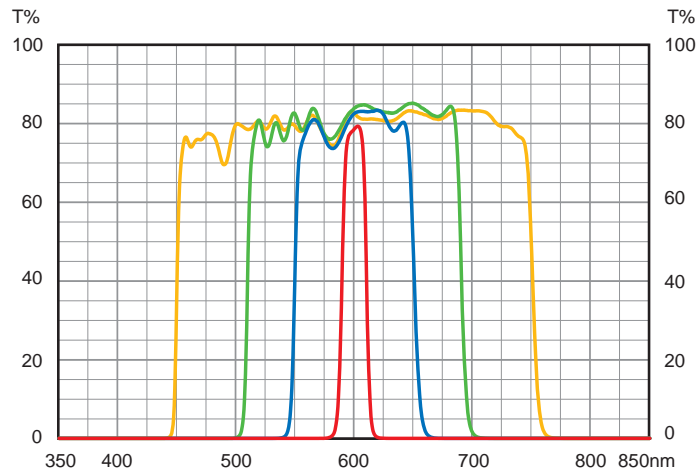
Others

CWL 550nm
 ZBPB050 ZBPZ052 ZBPB054 ZBPB056



CWL 600nm

ZBPB090 ZBPB092 ZBPB094 ZBPB097



- Shortpass
- Longpass
- Bandpass
- Neutral Density
- Mercury Line Emission
- Super Cold
- Others

Shortpass

Longpass

Bandpass

Neutral Density

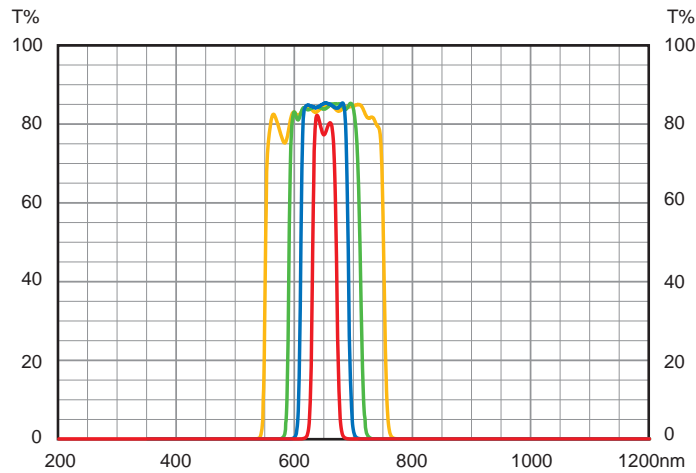
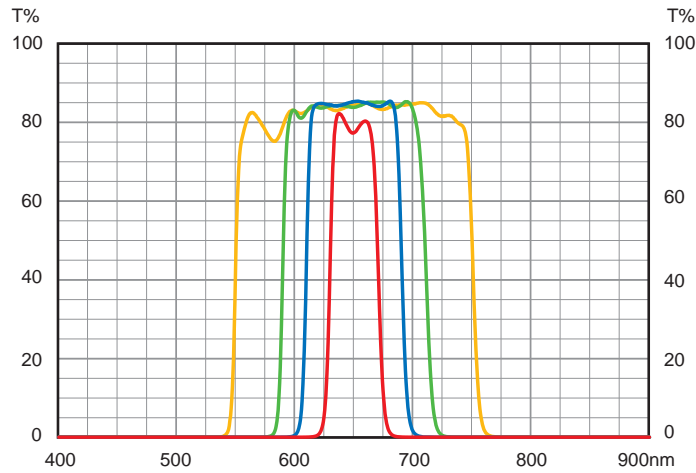
Mercury Line Emission

Super Cold

Others

CWL 650nm

ZBPB124 ZBPZ125 ZBPB126 ZBPB128

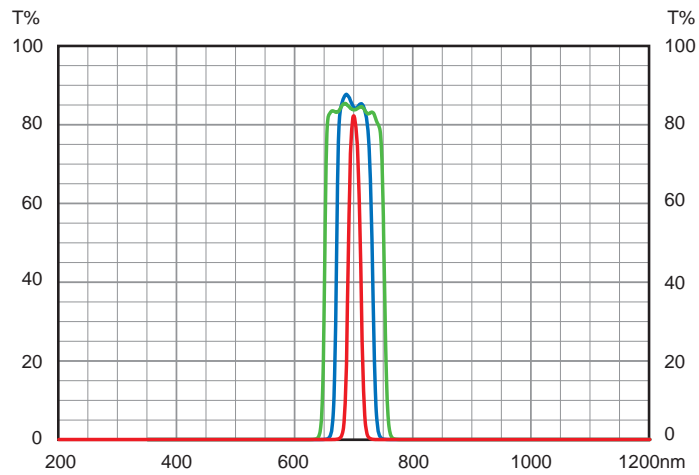
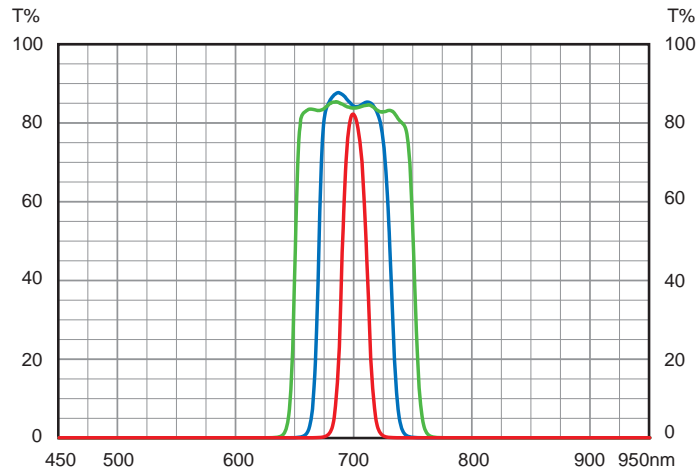


CWL 700nm

ZBPB145

ZBPB146

ZBPB147



Shortpass

Longpass

Bandpass

Neutral Density

Mercury Line Emission

Super Cold

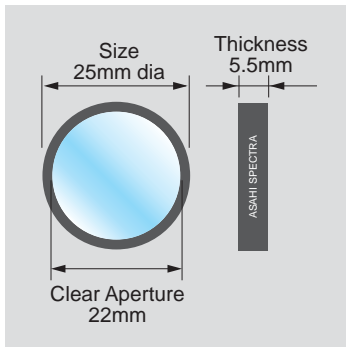
Others

- Shortpass
- Longpass
- Bandpass
- Neutral Density
- Mercury Line Emission
- Super Cold
- Others

High Transmission UV Bandpass Filter

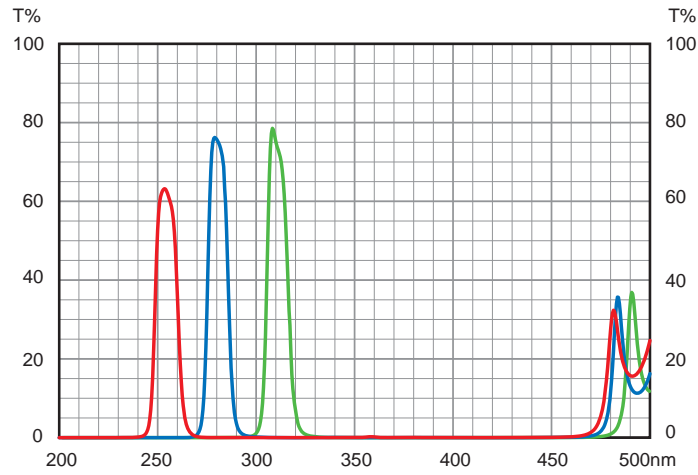
High Transmission UV Bandpass Filter is designed to have a sharp transition and high transmittance at each CWL.

Please contact us for custom filters that you cannot find in the standard product line.



Item Number	CWL (nm)	FWHM (nm)	Min. Transmittance (%)	Dimension (mm)	Thickness (mm)
XHQA254	254 +2/-2	10 +2/-2	60	25 diameter	5.5
XHQA260	260 +2/-2	10 +2/-2	60	25 diameter	5.5
XHQA270	270 +2/-2	10 +2/-2	60	25 diameter	5.5
XHQA280	280 +2/-2	10 +2/-2	60	25 diameter	5.5
XHQA290	290 +2/-2	10 +2/-2	60	25 diameter	5.5
XHQA300	300 +2/-2	10 +2/-2	65	25 diameter	5.5
XHQA310	310 +2/-2	10 +2/-2	65	25 diameter	5.5
XHQA313	313 +2/-2	10 +2/-2	65	25 diameter	5.5
XHQA320	320 +2/-2	10 +2/-2	65	25 diameter	5.5
XHQA330	330 +2/-2	10 +2/-2	65	25 diameter	5.5
XHQA340	340 +2/-2	10 +2/-2	65	25 diameter	5.5
XHQA350	350 +2/-2	10 +2/-2	65	25 diameter	5.5
XHQA360	360 +2/-2	10 +2/-2	70	25 diameter	5.5
XHQA365	365 +2/-2	10 +2/-2	70	25 diameter	5.5
XHQA370	370 +2/-2	10 +2/-2	70	25 diameter	5.5
XHQA380	380 +2/-2	10 +2/-2	70	25 diameter	5.5
XHQA390	390 +2/-2	10 +2/-2	70	25 diameter	5.5
XHQA405	405 +2/-2	10 +2/-2	70	25 diameter	5.5
XHQA436	436 +2/-2	10 +2/-2	70	25 diameter	5.5

CWL 254nm	CWL 280nm	CWL 313nm
XHQA254	XHQA280	XHQA313



Shortpass

Longpass

Bandpass

Neutral Density

Mercury Line Emission

Super Cold

Others

CWL 320nm	CWL 350nm	CWL 380nm	CWL 436nm
XHQA320	XHQA350	XHQA380	XHQA436

